

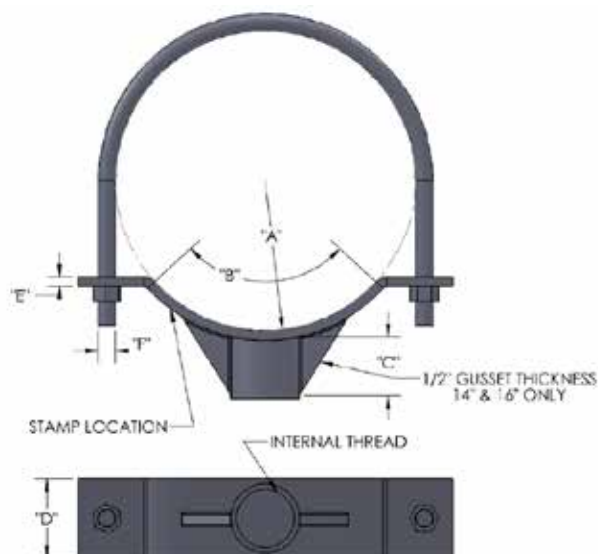


ADJUSTABLE PIPE SADDLE SUPPORT WITH UBOLT

HOT-DIP GALVANIZED, 316 STAINLESS STEEL

DIMENSIONAL DATA

Materials/ Finishes	Hot-Dip Galvanized; 316 Stainless Steel
Variants	N/A
Service	Designed to support pipe horizontally. Straight cut pipe thread on nipple provides up to 4-1/2 inches of vertical adjustability.
Approvals	Complies with Manufacturers' Standardization Society MSS SP-58 (Type# 37)
Ordering	Specify figure number, finish and pipe size.
Notes	Saddles accommodate ductile iron pipe and IPS. Support requires 2" schedule 40 (3" schedule 40 for sizes 14" and 16") extension pipe (not supplied) to be cut in the field.



429 SADDLE SPECIFICATIONS

Size	A	B	C	D	E	F	Thread Size
2	1.500	90°	1.500	2.000	0.375	1/2-13	1-1/4-7
3	2.030	130°	1.500	2.000	0.375	1/2-13	1-1/4-7
4	2.450	130°	1.500	2.000	0.375	1/2-13	1-1/4-7
6	3.500	130°	1.500	2.000	0.500	5/8-11	1-1/4-7
8	4.580	130°	1.500	2.000	0.500	5/8-11	1-1/4-7
10	5.600	130°	1.500	2.000	0.500	5/8-11	1-1/4-7
12	6.650	130°	1.500	2.000	0.500	5/8-11	1-1/4-7
14	7.750	130°	3.000	3.000	0.500	7/8-9	2-1/2-4
16	8.800	130°	3.000	4.000	0.500	7/8-9	2-1/2-4



ADJUSTABLE PIPE SADDLE SUPPORT WITH UBOLT

HOT-DIP GALVANIZED, 316 STAINLESS STEEL

DIMENSIONAL DATA (CONT'D)

428 KIT SPECIFICATIONS

Sizes 2-12

Sizes 4 & 16

