



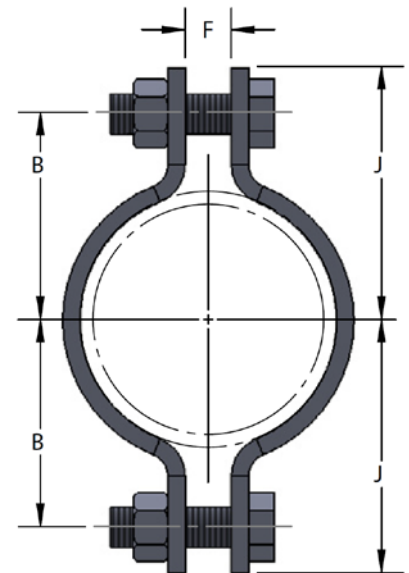
# HEAVY DUTY TWO-BOLT PIPE CLAMP

PLAIN, HOT-DIP GALVANIZED, ELECTRO-GALVANIZED, 304 & 316 STAINLESS STEEL



## DIMENSIONAL DATA

<b>Materials/ Finishes</b>	Plain Carbon Steel; Electro-Galvanized; Hot-dip Galvanized; 304 Stainless Steel & 316 Stainless Steel
<b>Variants</b>	N/A
<b>Service</b>	Designed for the suspension of cold or hot pipe lines with heavy loads where no insulation is required.
<b>Approvals</b>	Complies with Federal Specifications WW-H-171-E (Type# 4), A-A-1192 A (Type# 4), and MSS SP-58 and SP-69 (Type# 4).
<b>Ordering</b>	Specify figure number, finish and pipe size
<b>Notes</b>	No spacers supplied.



Pipe Size	Pipe O.D.	Bolt	B	F	J	Weight Each (lbs)	Max Rec Load (lbs)
3	3.500	3/4	3-1/8	1	4	2.67	3370
3-1/2	4.000	3/4	3-5/16	1	4-3/16	3.36	3515
4	4.500	7/8	3-3/4	1	4-7/8	5.93	3515
5	5.563	7/8	4-3/8	1	5-1/2	6.56	3515
6	6.625	1	5-1/4	1-1/8	6-5/8	12.40	4865
8	8.625	1	6-1/4	1-1/8	7-5/8	14.66	4865
10	10.750	1-1/4	7-11/16	1-1/4	9-1/16	23.45	6010
12	12.750	1-1/2	9-1/4	1-5/8	11-1/8	40.98	8675
14	14.000	1-1/2	10	1-5/8	11-7/8	56.00	9120
16	16.000	1-1/2	11-5/16	1-5/8	13-3/16	62.00	9120
18	18.000	2	14-1/2	3	18-1/2	129.00	13800
20	20.000	2	16	3	20	148.00	15300
24	24.000	2	18-1/2	3-1/4	23	200.00	16300
30	30.000	2-1/4	22-1/2	3-1/2	26	390.00	20500