



OD TUBING STRUT CLAMP ASSEMBLED

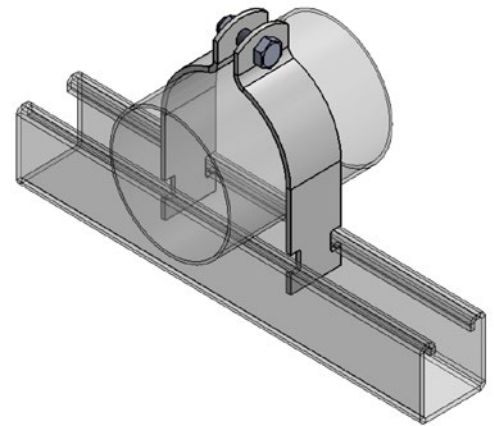
ZINC PLATED, 304 & 316 STAINLESS STEEL

DIMENSIONAL DATA

Materials/ Finishes	Zinc Plated; 304 Stainless Steel; 316 Stainless Steel
Variants	N/A
Service	Designed to steady a horizontal run of pipe against a perpendicular section of strut.
Approvals	N/A
Ordering	Specify figure number, finish and pipe size
Notes	N/A

Pipe Size (O.D.)	Max Rec Load (lbs)	Weight Each (lbs)
1/4	400	0.09
3/8	400	0.09
1/2	400	0.07
5/8	400	0.09
3/4	400	0.13
7/8	400	0.14
1	600	0.15
1-1/8	600	0.16
1-1/4	600	0.18
1-3/8	600	0.19
1-1/2	600	0.20
1-5/8	600	0.21
1-3/4	800	0.22
1-7/8	800	0.22
2	800	0.23
2-1/8	800	0.23
2-1/4	800	0.25
2-3/8	800	0.26
2-1/2	800	0.38
2-5/8	800	0.38
2-3/4	800	0.39
2-7/8	800	0.40
3	800	0.42
3-1/8	800	0.44
3-1/4	800	0.46
3-3/8	800	0.48
3-1/2	800	0.50
3-5/8	800	0.50

Pipe Size (O.D.)	Max Rec Load (lbs)	Weight Each (lbs)
3-3/4	1000	0.51
3-7/8	1000	0.52
4	1000	0.52
4-1/8	1000	0.53
4-1/4	1000	0.54
4-3/8	1000	0.55
4-1/2	1000	0.55
4-5/8	1000	0.57
4-3/4	1000	0.58
4-7/8	1000	0.60
5	1000	0.62
5-1/8	1000	0.64
5-1/4	1000	0.66
5-3/8	1000	0.68
5-1/2	1000	0.70
5-5/8	1000	0.72
5-3/4	1000	0.74
5-7/8	1000	0.76
6	1000	0.79
6-1/8	1000	0.83
6-1/4	1000	0.87
6-3/8	1000	0.90
6-1/2	1000	0.95
6-5/8	1000	1.02
6-3/4	1000	1.05
6-7/8	1000	1.10
7	1000	1.16
8-3/8	1000	1.25



No-Hub Cast Iron Soil Pipe Clamp Sizes	
No-Hub Cast Iron Nominal Pipe Size	Use the Following Strut Clamp
3	3-3/8
4	4-3/8
5	5-3/8
6	6-3/8
8	8-3/8
10-12	Call