



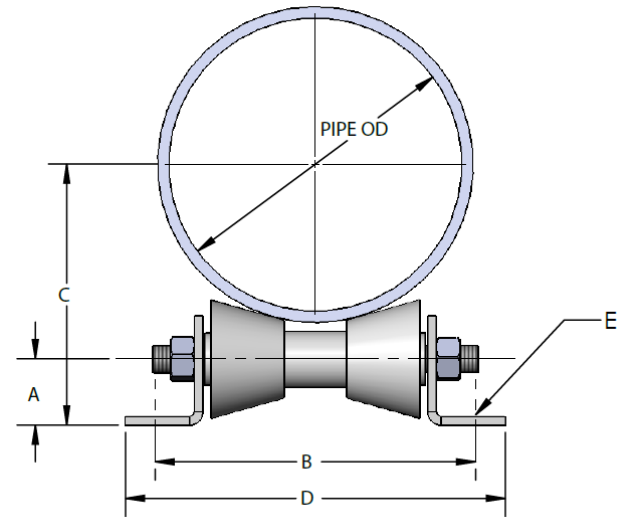
# STRUT ROLLER SUPPORT

ZINC PLATED, HOT-DIP GALVANIZED, 304 & 316 STAINLESS STEEL

## DIMENSIONAL DATA

**Materials/ Finishes** Zinc Plated; Hot-Dip Galvanized; 304 Stainless Steel; 316 Stainless Steel

**Ordering** Specify figure number, finish and pipe OD.



Pipe Size	A	B	C	D	E	Axle Size
2	1-7/16	5-5/8	3-3/8	7-1/4	9/16	1/2 x 5-1/8
2-1/2	1-7/16	5-5/8	3-11/16	7-1/4	9/16	1/2 x 5-1/8
3	1-7/16	5-5/8	4	7-1/4	9/16	1/2 x 5-1/8
3-1/2	1-7/16	5-5/8	4-1/4	7-1/4	9/16	1/2 x 5-1/8
4	1-7/16	6-5/8	4-5/16	8-1/4	9/16	1/2 x 5-1/8
5	1-7/16	6-5/8	4-7/8	8-1/4	9/16	1/2 x 5-1/8
6	1-7/16	6-5/8	5-7/16	8-1/4	9/16	1/2 x 5-1/8
8	1-13/16	8-5/8	7-1/8	10-1/4	9/16	7/8 x 9
10	1-13/16	8-5/8	8-3/16	10-1/4	9/16	7/8 x 9
12	2-7/16	11-3/4	9-15/16	14	13/16	1-1/8 x 11-1/2
14	2-7/16	11-3/4	10-9/16	14	13/16	1-1/8 x 11-1/2
16	2-5/8	12-3/4	11-7/8	15	13/16	1-14 x 13
18	2-5/8	12-3/4	12-15/16	15	13/16	1-14 x 13
20	2-5/8	12-3/4	14	15	13/16	1-14 x 13