



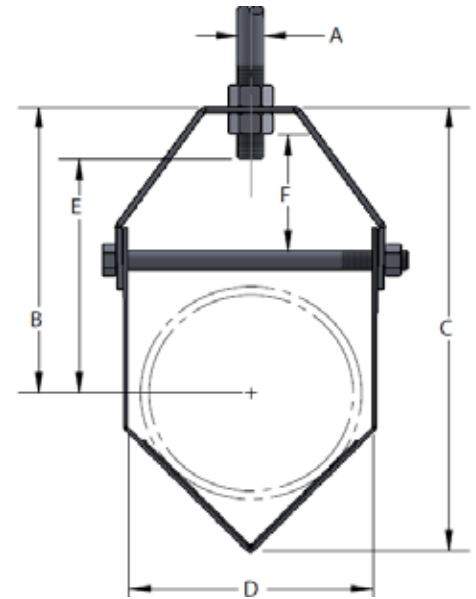
V BOTTOM CLEVIS HANGER

PLAIN, ELECTRO-GALVANIZED, HOT-DIP GALVANIZED, 304 & 316 STAINLESS STEEL



DIMENSIONAL DATA

Materials/ Finishes	Plain; Electro-Galvanized; Hot-Dip Galvanized; 304 Stainless Steel; 316 Stainless Steel
Variants	N/A
Service	Designed for the suspension of flexible plastic pipe lines. Used in conjunction with figure #12 channel.
Approvals	N/A
Ordering	Specify figure number, finish and pipe size
Notes	Hanger and channel sold separately. Upper locknut must be tightened securely to assure proper hanger performance.



Pipe Size	Size No.	Material Size		Bolt	A	B	C	D	E	F	Weight Each (lbs)	Max Rec Load (lbs)
		Top	Bottom									
1/2	1	14ga x 7/8	16ga x 7/8	1/4	3/8	5-3/16	5-7/8	2-9/16	4-7/16	1-1/4	0.30	250
3/4	1	14ga x 7/8	16ga x 7/8	1/4	3/8	5	5-7/8	2-9/16	4-1/4	1-1/4	0.30	250
1	1	14ga x 7/8	16ga x 7/8	1/4	3/8	4-7/8	5-7/8	2-9/16	4-1/16	1-1/4	0.30	250
1-1/4	1	14ga x 7/8	16ga x 7/8	1/4	3/8	4-5/8	5-7/8	2-9/16	3-7/8	1-1/4	0.30	250
1-1/2	1	14ga x 7/8	16ga x 7/8	1/4	3/8	4-7/16	5-7/8	2-9/16	3-11/16	1-1/4	0.30	250
2	1	14ga x 7/8	16ga x 7/8	1/4	3/8	4-1/8	5-7/8	2-9/16	3-3/8	1-1/4	0.30	250
2-1/2	2	11ga x 1-3/16	14ga x 1-3/16	3/8	1/2	6-13/16	8-15/16	4-11/16	5-3/4	2-3/8	0.96	300
3	2	11ga x 1-3/16	14ga x 1-3/16	3/8	1/2	6-3/8	8-15/16	4-11/16	5-5/16	2-3/8	0.96	300
4	2	11ga x 1-3/16	14ga x 1-3/16	3/8	1/2	5-11/16	8-15/16	4-11/16	4-1/2	2-3/8	0.96	300
5	3	3ga x 1-1/2	8ga x 1-1/2	1/2	3/4	7-3/4	11-3/4	6-7/8	6-1/2	1-3/4	3.05	350
6	3	3ga x 1-1/2	8ga x 1-1/2	1/2	3/4	6-13/16	11-3/4	6-7/8	5-3/16	1-3/4	3.05	350
7	4	3ga x 1-3/4	8ga x 1-3/4	5/8	3/4	8-13/16	14-1/2	9-1/4	7-9/16	1-7/8	4.65	400
8	4	3ga x 1-3/4	8ga x 1-3/4	5/8	3/4	6-5/16	14-1/2	9-1/4	7-1/16	1-7/8	4.65	400
10	5	3ga x 1-3/4	3ga x 1-3/4	3/4	7/8	10-5/8	18-3/8	11-1/4	9-1/8	2-1/4	9.05	550

- "E" dimension includes exposed rod threads beyond bottom of the hex nut. Exposed rod thread dimension is equal to the diameter of the rod used.