

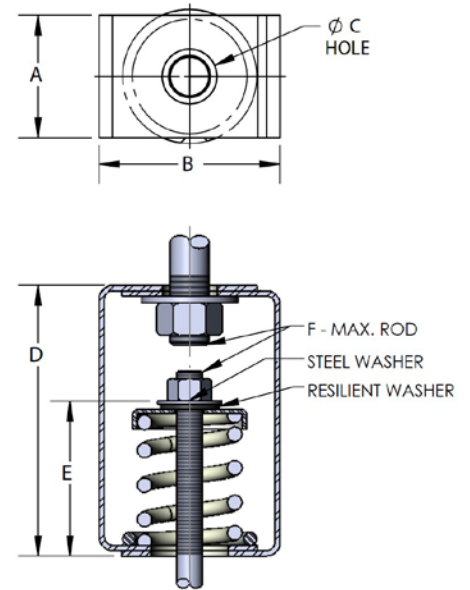


VIBRATION SPRING FLEX HANGER
PAINTED CARBON STEEL



DIMENSIONAL DATA

Materials/ Finishes	Painted Carbon Steel Housing with Steel Spring
Variants	N/A
Service	Designed to isolate low frequency vibrations for piping or suspended equipment. Typical applications include fans, duct work, air handling units, piping, and suspended ceilings.
Approvals	N/A
Ordering	Specify figure number, isolator size, rod size and load.
Notes	N/A



Rated Load lbs @ 1" DEFL	Solid Load (lbs)	Dimensions					
		A	B	C	D	E	F
15	27	3-1/2	2-1/2	1/2	5-5/8	3-1/8	2
25	39	3-1/2	2-1/2	1/2	5-5/8	3-1/8	2
50	83	3-1/2	2-1/2	1/2	5-5/8	3-1/8	2
100	160	3-1/2	2-1/2	1/2	5-5/8	3-1/8	2
150	242	3-1/2	2-1/2	1/2	5-5/8	3-1/8	2
200	293	3-1/2	2-1/2	1/2	5-5/8	3-1/8	2
300	442	3-1/2	2-1/2	1/2	5-5/8	3-1/8	2
400	585	3-1/2	2-1/2	1/2	5-5/8	3-1/8	2
500	782	4-1/2	3-1/2	1	10-1/8	4-5/8	3-1/4
600	925	4-1/2	3-1/2	1	10-1/8	4-5/8	3-1/4
800	1257	4-1/2	3-1/2	1	10-1/8	4-5/8	3-1/4
1000	1565	4-1/2	3-1/2	1	10-1/8	4-5/8	3-1/4
1200	1829	4-1/2	3-1/2	1	10-1/8	4-5/8	3-1/4
1400	2131	4-1/2	3-1/2	1	10-1/8	4-5/8	3-1/4
1600	2419	4-1/2	3-1/2	1	10-1/8	4-5/8	3-1/4
1800	2662	4-1/2	3-1/2	1	10-1/8	4-5/8	3-1/4