



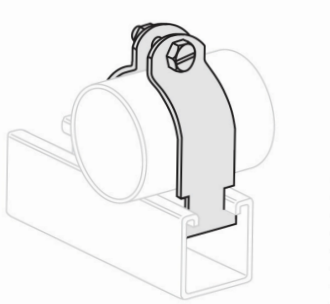
PIPE CLAMPS

ELECTRO-GALVANIZED, COPPER & 304 STAINLESS STEEL

Strut Pipe Clamps are used to attach pipes and conduit to strut channel assemblies. They are made of steel and are available in electro-galvanized, copper & 304 stainless steel finish.



SPECIFICATIONS - PIPE CLAMPS ASSEMBLED

**TABLE 1: PIPE CLAMPS ASSEMBLED SIZING INFORMATION**

PIPE SIZE	CTN. QTY.	WGT./100
1/2"	100	10
3/4"	100	12
1"	100	14
1-1/4"	100	17
1-1/2"	50	26
2"	50	29
2-1/2"	50	36
3"	50	40
3-1/2"	25	57
4"	25	61
5"	25	73
6"	25	83
7"	25	115
8"	25	128
10"	25	143
12"	25	174

**PIPE CLAMPS**

ELECTRO-GALVANIZED, COPPER & 304 STAINLESS STEEL

SPECIFICATIONS - OD PIPE CLAMPS**TABLE 2: OD PIPE CLAMPS SIZING INFORMATION**

PIPE SIZE	CTN. QTY.	WGT./100
1/4"	100	7
3/8"	100	8
1/2"	100	8
5/8"	100	9
3/4"	100	10
7/8"	100	11
1"	100	12
1-1/8"	100	14
1-1/4"	100	15
1-3/8"	100	16
1-1/2"	100	17
1-5/8"	50	18
1-3/4"	50	26
1-7/8"	50	28
2"	50	29
2-1/8"	50	29
2-1/4"	50	32
2-3/8"	50	32
2-1/2"	50	33
2-5/8"	50	34
2-3/4"	50	35
2-7/8"	50	36
3"	50	37
3-1/8"	50	38
3-1/4"	50	40
3-3/8"	50	42
3-1/2"	50	45
3-5/8"	25	54
3-3/4"	25	56
3-7/8"	25	57
4"	25	58
4-1/8"	25	60
4-1/4"	25	61
4-3/8"	25	62
4-1/2"	25	63

TABLE 2: OD PIPE CLAMPS SIZING INFORMATION CONT'D

PIPE SIZE	CTN. QTY.	WGT./100
4-5/8"	25	64
4-3/4"	25	65
4-7/8"	25	66
5"	25	67
5-1/8"	25	69
5-1/4"	25	70
5-3/8"	25	74
5-1/2"	25	76
5-5/8"	25	83
5-3/4"	25	87
5-7/8"	25	88
6"	25	90
6-1/8"	25	91
6-1/4"	25	92
6-3/8"	25	93
6-1/2"	25	94
6-5/8"	25	96
6-3/4"	25	97
6-7/8"	25	98
7"	25	101
7-1/8"	25	103
7-1/4"	25	104
7-3/8"	25	105
7-1/2"	25	106
7-5/8"	25	107
7-3/4"	25	111
7-7/8"	25	112
8"	25	113
8-1/8"	25	114
8-1/4"	25	115
8-3/8"	25	116
8-1/2"	25	117
8-5/8"	25	118
8-3/4"	25	119
8-7/8"	25	120

**PIPE CLAMPS**

ELECTRO-GALVANIZED, COPPER & 304 STAINLESS STEEL

SPECIFICATIONS - OD PIPE CLAMPS**TABLE 2: OD PIPE CLAMPS SIZING INFORMATION**

PIPE SIZE	CTN. QTY.	WGT./100
9"	25	121
9-1/8"	25	123
9-1/4"	25	124
9-3/8"	25	126
9-1/2"	25	128
9-5/8"	25	131
9-3/4"	25	132
9-7/8"	25	135
10"	25	136
10-1/8"	25	137
10-1/4"	25	138
10-3/8"	25	140
10-1/2"	25	143
10-5/8"	25	145
10-3/4"	25	146
10-7/8"	25	146
11"	25	146
11-1/8"	25	148
11-1/4"	25	150
11-3/8"	25	151
11-1/2"	25	153
11-5/8"	25	154
11-3/4"	25	156
11-7/8"	25	157
12"	25	158
12-1/8"	25	160
12-1/4"	25	161
12-3/8"	25	162
12-1/2"	25	164
12-5/8"	25	165
12-3/4"	25	174